



For North American Market

INDUSTRIAL DIESEL ENGINE

**KUBOTA SUPER MINI SERIES (3-cylinder)**

# D722-E3B



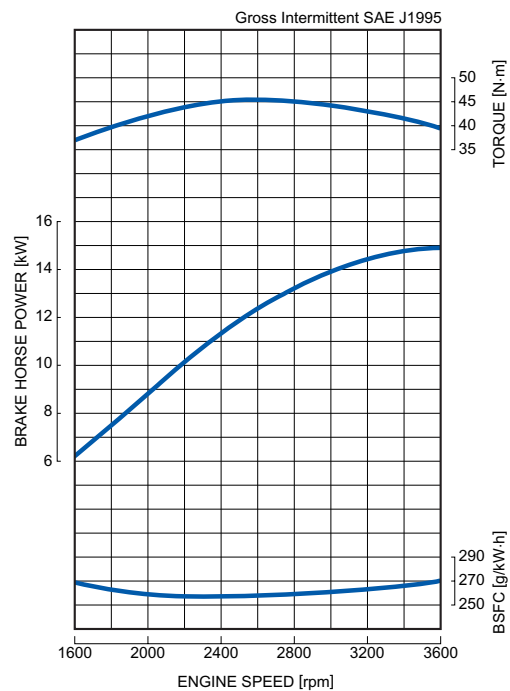
## RATED POWER

**14.9kW@3600rpm**



Photograph may show non-standard equipment.

## PERFORMANCE CURVE



## FEATURES and BENEFITS

### Emissions

- Kubota Super Mini Series, the most compact multi-cylinder liquid cooled industrial diesel engines, complies with EPA Tier 4 emissions regulations. These are the most stringent emissions regulations in the world in this class.

### Durable Power

- The Kubota Super Mini Series has been chosen as a power source for a variety of applications since it was first launched 25 years ago. It has become the benchmark in the compact diesel engine market.
- The D722 engine offers a seamless transition from Tier 2 to Tier 4 by totally maintaining the same performance and physical characteristics of the previous Tier 2 engines.
- Alternative fuel engines, WG752 (Gasoline) and DF752 (Dual Fuel: Gasoline/LPG) are available with the same footprint as the D722 engine.

### Clean and Quiet Power

- Kubota's original E-TVCS (Three Vortex Combustion System) has been improved. The combustion chamber was optimized to achieve a 50% lower particulate matter (PM) level in such a small size range.

## GENERAL SPECIFICATION

Model		<b>D722-E3B</b>
Emission Regulation		Tier 4
Type		Vertical 4-cycle Liquid Cooled Diesel
Number of Cylinders		3
Bore	mm (in)	67 (2.64)
Stroke	mm (in)	68 (2.68)
Displacement	L (cu.in)	0.719 (43.88)
Combustion System		IDI
Intake System		Naturally Aspirated
Maximum Speed	rpm	3600
Output: Gross Intermittent ( Industrial Use )	kW	14.9
	hp	20.0
	ps	20.3
Direction of Rotation		Counterclockwise Viewed on Flywheel
Oil Pan Capacity	L (gal)	3.8 (1.00)
Starter Capacity	V-kW	12-0.8
Alternator Capacity	V-A	12-12.5
Output: Stand-by ( Generator Use )	kW	13.3
	hp	17.8
	ps	18.1
Output: Continuous ( Generator Use )	kW	12.2
	hp	16.4
	ps	16.6
Length	mm (in)	435.1 (17.13)
Width	mm (in)	404.0 (15.91)
Height (1)	mm (in)	564.1 (22.21)
Height (2)	mm (in)	219.0 (8.62)
Dry Weight	kg (lb)	63.0 (139.1)

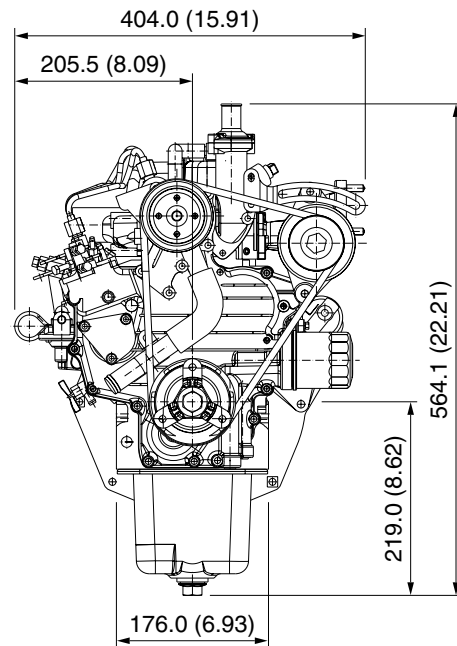
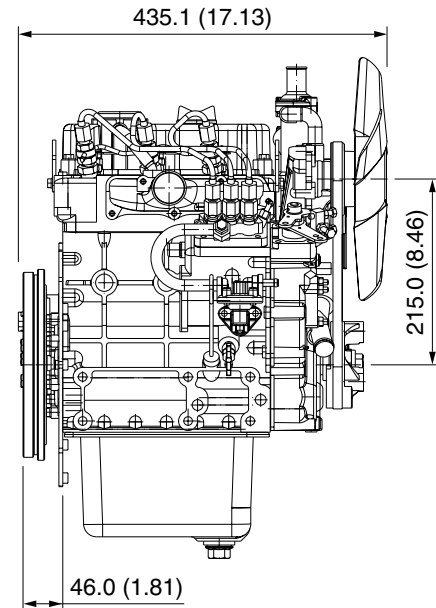
\*Specification is subject to change without notice.

\*Output: Gross Intermittent SAE J1995

\*Output: Stand-by, Continuous ISO 3046

\*Dry weight is according to Kubota's standard specification.  
When specification varies, the weight will vary accordingly.

## DIMENSIONS



## KUBOTA Corporation

2-47, Shikitsuhigashi 1-chome, Naniwa-ku, Osaka, 556-8601 Japan  
Fax: 06-6648-3521

<http://www.engine.kubota.ne.jp>

Your Driving Force  
KUBOTA ENGINE